

Connector Unit

CUMI

Bals Nederland B.V.
 Watze Hilariusweg 6
 2031 AA Haarlem
 verkoop@bals.nl
 023-5470947



Technical Data	Unit	C-Line		B - Line		
Nominal current	A	200	250	250	315	400
Rated current	A	250	285	315	380	450
Rated voltage	V	1'000				
Rated frequency	Hz	50 / 60				
Withstand voltage (1 Min / 50 Hz)	V	4'000				
Protection grade		IP 55				
Shock resistance		IK 07				
Ambient temperature	°C	-40 / +70				
Insulation resistance (phase to phase and phase-to earth)	MOhm	> 500				
Comparative tracking index of the insert	CTI	> 600				
Weight 4 poles (3L+PEN)	kg	25.1			45.6	
Weight 5 poles (3L+N+PE)	kg	25.3			47.1	
Connection bolts for cable shoes			M8		M10	
Max.cross section pilot cable, conductor (EN 60228 Class 1)	mm ²			4		
Diameter of cable						
- normal	mm			20 - 70		
other diameters on request						

Technical modifications reserved

Structure

Locking system

Male connector will be connected to connector unit. Switch is manually set to the „ON“ position. Connector is now under load and is mechanically locked via a linkage integrated in the connector unit.

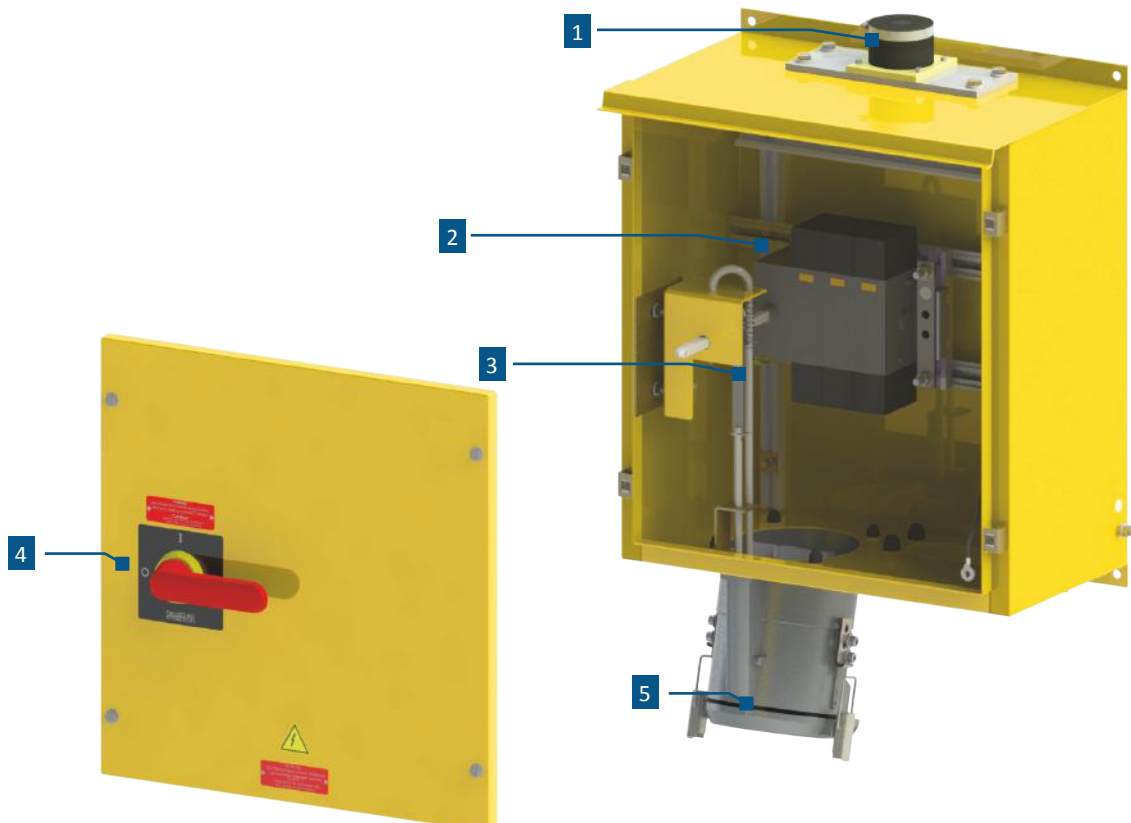
Only by moving the switch to the „OFF“ position the connector can be disconnected from the connector unit.

Important!

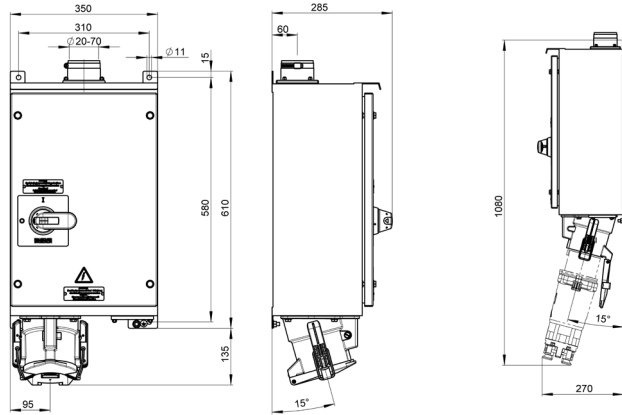
Plugging is not possible under load!

Construction of a CUMI connector unit

1. Cable gland
2. Load break switch
3. Linkage
4. Switch
5. Panel Mounted Receptacle

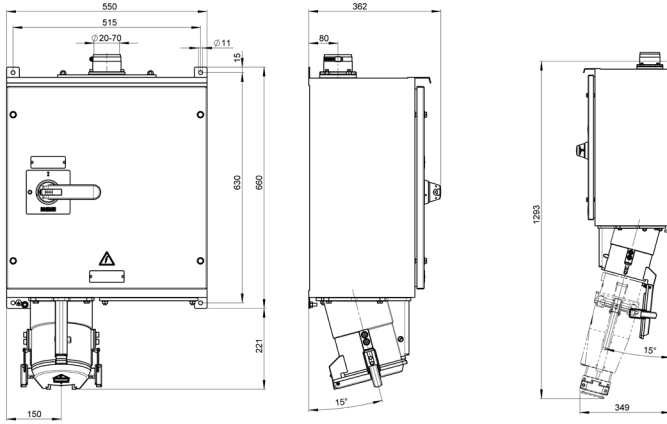


CUMI C - Line



Current	Number of Poles	Voltage	Type designation	Article No.
200 A	4 (3L+PEN)	230V	CUMI-S4/200 230V-9h	11790
		400V	CUMI-S4/200 400V-6h	11791
		500V	CUMI-S4/200 500V-7h	11792
		690V	CUMI-S4/200 690V-5h	11793
		1000V	CUMI-S4/200 1000V-1h	11794
	5 (3L+N+PE)	230V	CUMI-S5/200 230V-9h	11795
		400V	CUMI-S5/200 400V-6h	11796
		500V	CUMI-S5/200 500V-7h	11797
		690V	CUMI-S5/200 690V-5h	11798
		1000V	CUMI-S5/200 1000V-1h	11799
250 A	4 (3L+PEN)	230V	CUMI-S4/250 230V-9h	22160
		400V	CUMI-S4/250 400V-6h	22161
		500V	CUMI-S4/250 500V-7h	22162
		690V	CUMI-S4/250 690V-5h	22163
		1000V	CUMI-S4/250 1000V-1h	22164
	5 (3L+N+PE)	230V	CUMI-S5/250 230V-9h	22165
		400V	CUMI-S5/250 400V-6h	22166
		500V	CUMI-S5/250 500V-7h	22167
		690V	CUMI-S5/250 690V-5h	22168
		1000V	CUMI-S5/250 1000V-1h	22169

CUMI B - Line



Current	Number of Poles	Voltage	Type designation	Article No.
250A	4 (3L+PEN)	230V	CUMI-S4/250 230V-9h	11800
		400V	CUMI-S4/250 400V-6h	11801
		500V	CUMI-S4/250 500V-7h	11802
		690V	CUMI-S4/250 690V-5h	11803
		1000V	CUMI-S4/250 1000V-1h	11804
	5 (3L+N+PE)	230V	CUMI-S5/250 230V-9h	11805
		400V	CUMI-S5/250 400V-6h	11806
		500V	CUMI-S5/250 500V-7h	11807
		690V	CUMI-S5/250 690V-5h	11808
		1000V	CUMI-S5/250 1000V-1h	11809
315 A	4 (3L+PEN)	230V	CUMI-S4/315 230V-9h	22960
		400V	CUMI-S4/315 400V-6h	22961
		500V	CUMI-S4/315 500V-7h	22962
		690V	CUMI-S4/315 690V-5h	22963
		1000V	CUMI-S4/315 1000V-1h	22964
	5 (3L+N+PE)	230V	CUMI-S5/315 230V-9h	22965
		400V	CUMI-S5/315 400V-6h	22966
		500V	CUMI-S5/315 500V-7h	22967
		690V	CUMI-S5/315 690V-5h	22968
		1000V	CUMI-S5/315 1000V-1h	22969
400 A	4 (3L+PEN)	230V	CUMI-S4/400 230V-9h	11810
		400V	CUMI-S4/400 400V-6h	11811
		500V	CUMI-S4/400 500V-7h	11812
		690V	CUMI-S4/400 690V-5h	11813
		1000V	CUMI-S4/400 1000V-1h	11814
	5 (3L+N+PE)	230V	CUMI-S5/400 230V-9h	11815
		400V	CUMI-S5/400 400V-6h	11816
		500V	CUMI-S5/400 500V-7h	11817
		690V	CUMI-S5/400 690V-5h	11818
		1000V	CUMI-S5/400 1000V-1h	11819

